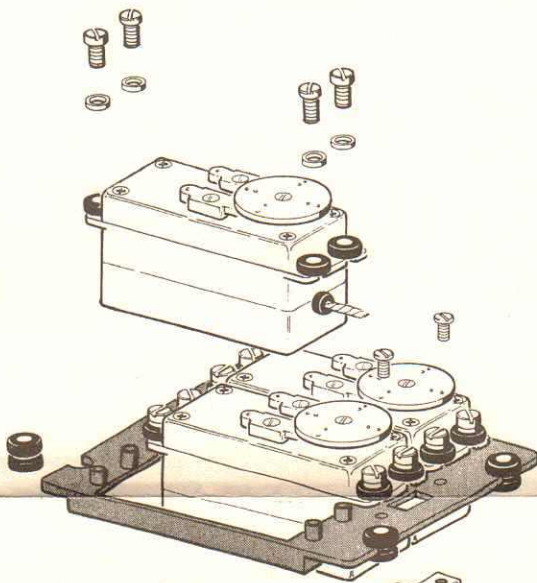


MOUNTING TRAYS FOR KPS-9 and KPS-10 SERVOS

Servo trays provide convenient mounting in most installations. They also insure maximum vibration protection through automatically correct mounting spacing and additional cushioning. For increased reliability, they are highly recommended.

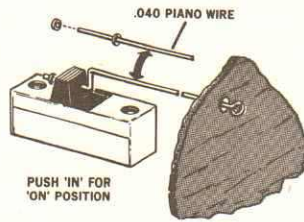
Trays are furnished complete with all mounting hardware.

Please order by stock number

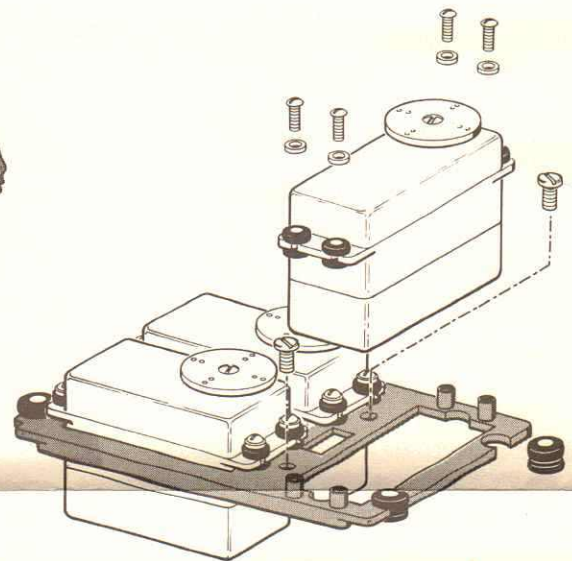


S9M-1

\$249

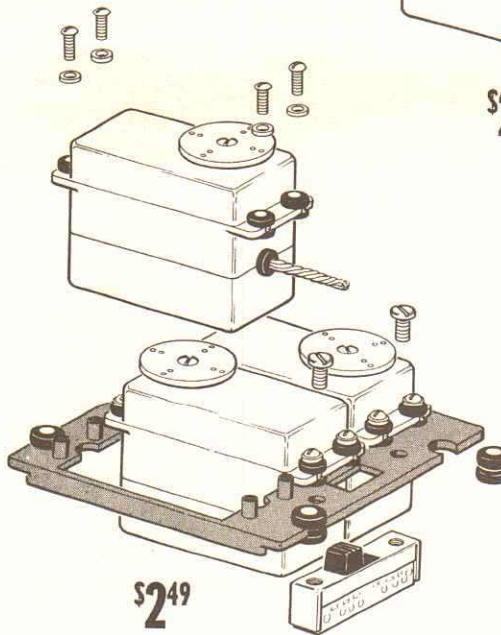


SUGGESTED SWITCH
INSTALLATION



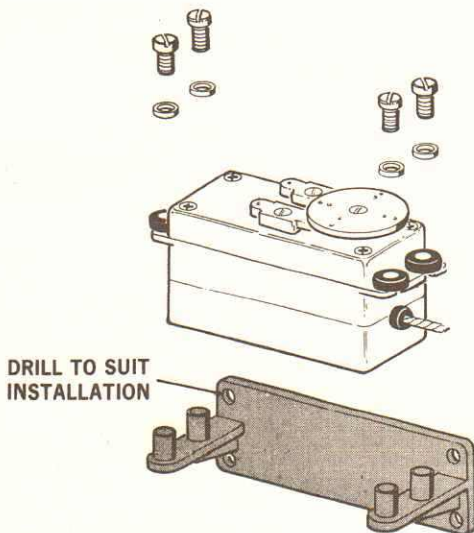
\$249

S10M-1



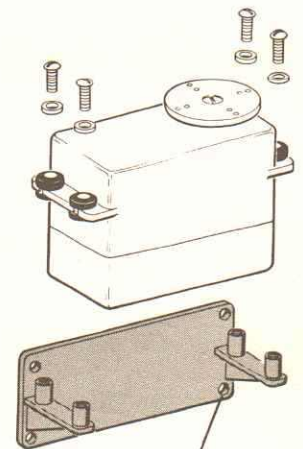
\$249

S10M-2



S9M-2

\$149



S10M-3

DRILL TO SUIT
INSTALLATION

\$149

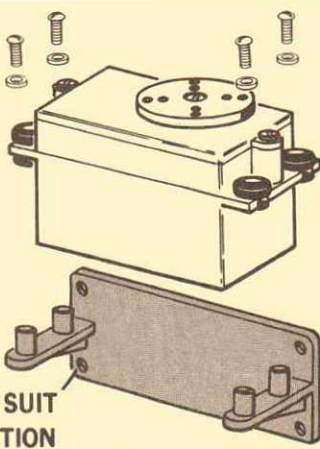
MOUNTING TRAYS

FOR KPS-11, KPS-11A and KPS-12 SERVOS

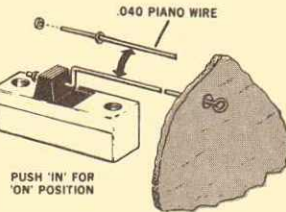
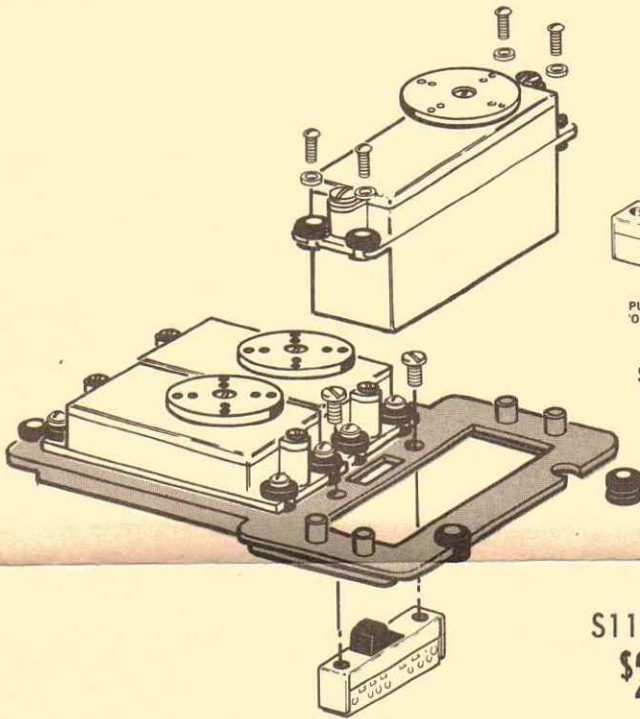
Servo trays provide convenient mounting in most installations. They also ensure maximum vibration protection through automatically correct mounting spacing and additional cushioning. For increased reliability, they are highly recommended.

Trays are furnished complete with all mounting hardware. Please order by stock number.

DRILL TO SUIT
INSTALLATION

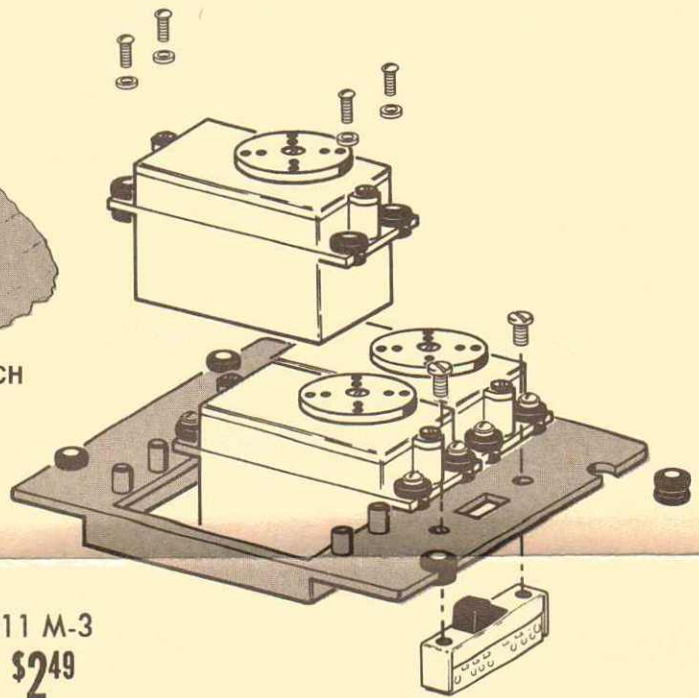


S11 M-1
\$149

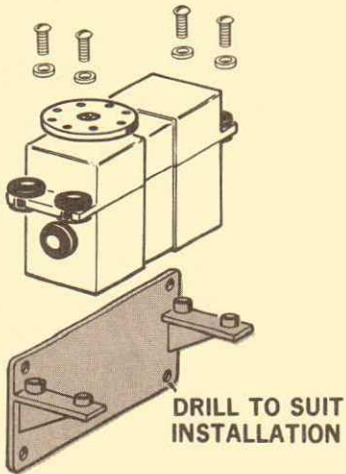


SUGGESTED SWITCH
INSTALLATION

S11 M-2
\$249

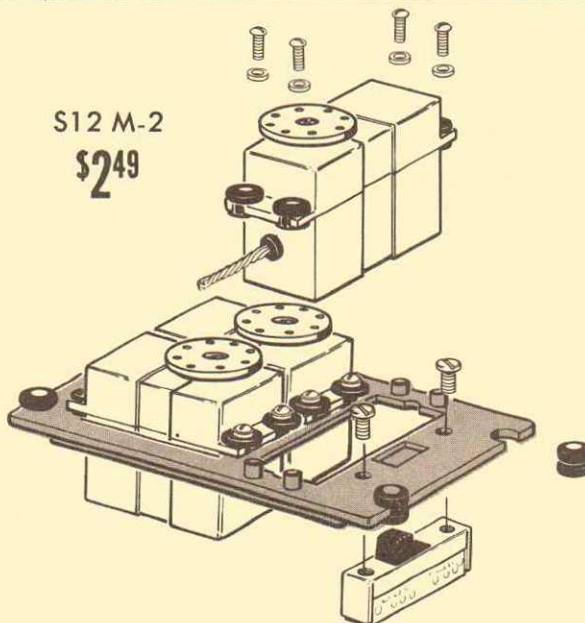


S11 M-3
\$249

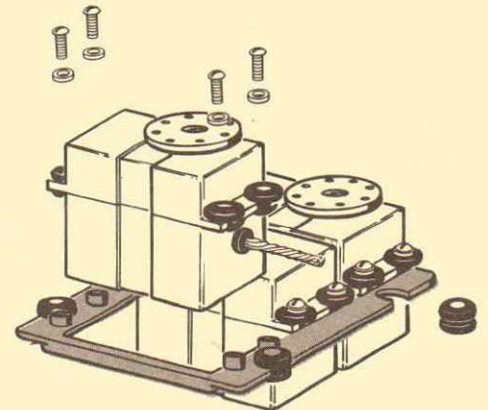


DRILL TO SUIT
INSTALLATION

S12 M-1
\$149



S12 M-2
\$249



S12 M-3
\$249



450 WEST CALIFORNIA AVENUE, VISTA, CALIFORNIA 92083

World's Largest Manufacturer of Proportional R/C Equipment