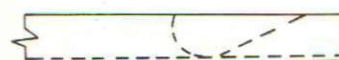
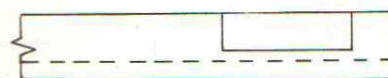
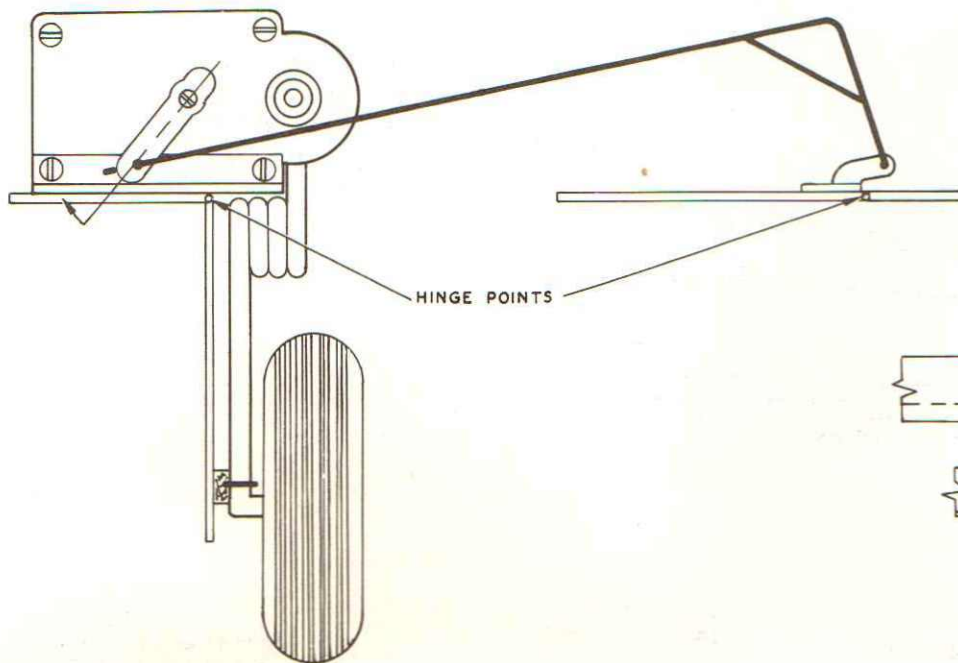
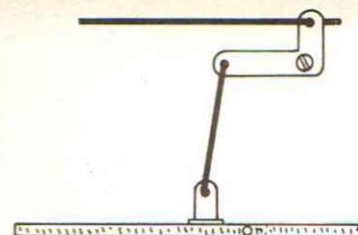
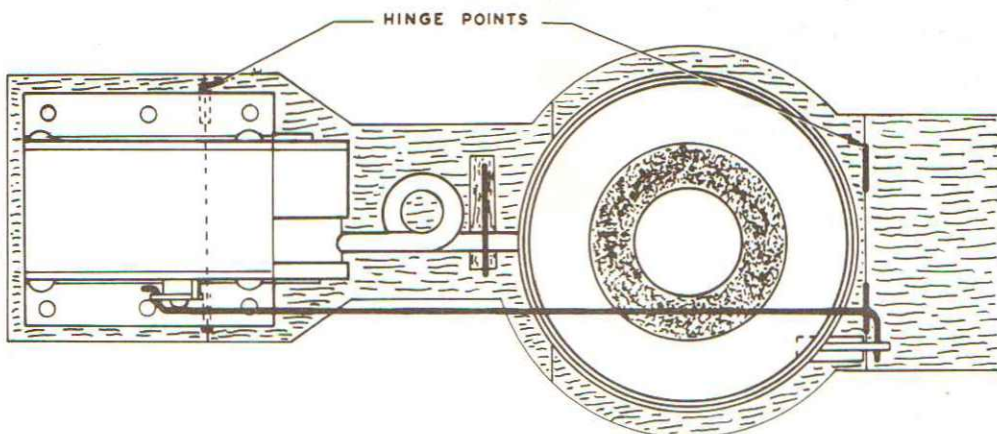
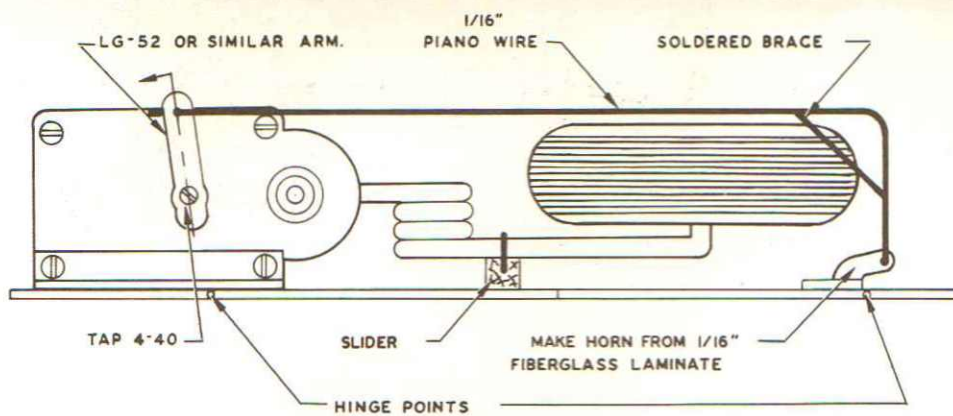


WHEEL DOOR OPERATION FROM YOUR MULTICON RETRACTS

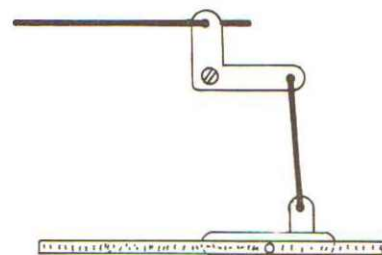


MOUNTING RAIL



BELL CRANK

OPTIONAL METHODS



BELL CRANK (OFF SET HINGE)